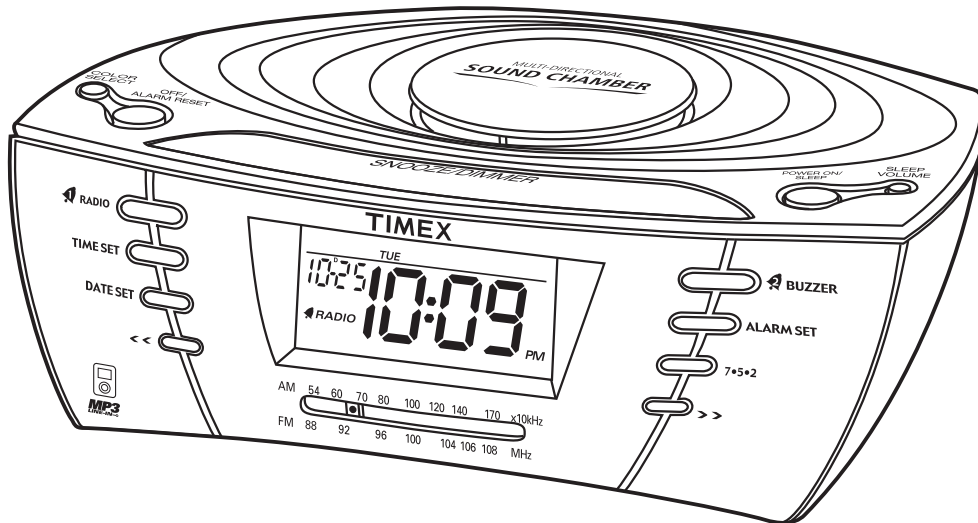


TIMEX®

Model T439 MP3/CD Line-In dual alarm clock radio



For additional information, online registration,
and exclusive special offers visit our website:

www.timexaudio.com

For questions or comments regarding this or other products,
please call our toll-free number 1-800-888-4491.
Para instrucciones en Español, llame al 1-800-888-4491.



CAUTION

RISK OF ELECTRIC SHOCK
DO NOT OPEN



CAUTION: TO REDUCE THE RISK OF ELECTRIC SHOCK, DO NOT REMOVE COVER (OR BACK). NO USER-SERVICEABLE PARTS INSIDE. REFER SERVICING TO QUALIFIED SERVICE PERSONNEL.

WARNING: TO REDUCE THE RISK OF FIRE OR ELECTRIC SHOCK, DO NOT EXPOSE THIS APPLIANCE TO RAIN OR MOISTURE.



The lightning flash with arrowhead in an equilateral triangle is intended to alert the user of the presence of uninsulated "dangerous voltage" within the product's enclosure that may be of sufficient magnitude to constitute a risk of electric shock.



The exclamation point within an equilateral triangle is intended to alert the user of the presence of important operating and maintenance (servicing) instructions in the literature accompanying the appliance.

The symbols above are located at the bottom of the cabinet.

CAUTION: To prevent electric shock, match wide blade of plug to wide slot. Fully insert.

ATTENTION: Pour éviter les choc électriques. Introduire la lame la plus large de la fiche dans la borne correspondante de la prises et pousser jusqu'au fond.

This device complies with part 15 of the FCC Rules. Operation is subject to the condition that this device does not cause harmful interference.

Note: The manufacturer is not responsible for any radio or TV interference cause by unauthorized modifications to this equipment. Such modification could void the user's authority to operate the equipment.

A Consumer Guide to Product Safety

IMPORTANT SAFETY INSTRUCTIONS

This unit has been designed and manufactured to assure your personal safety. Improper use can result in potential electrical shock or fire hazards. Please read all the safety and operating instructions carefully before installation and use. Keep these instructions handy for future reference. Take special note, adhere to all warning, and always follow the instructions on the unit and in the instruction and service manuals.

1. Water and Moisture – The unit should not be used near water. For example: near a bathtub, washbowl, kitchen sink, laundry tub, swimming pool or in a wet basement.
2. Ventilation – The unit should be situated so that its location or position does not interfere with its proper ventilation. For example, it should not be situated on a bed, sofa, rug or similar surface that may block ventilation openings. Also, it should not be placed in a built-in installation, such as a bookcase or cabinet that may impede the flow of air through the ventilation openings.
3. Heat – The unit should be situated away from heat sources such as radiators, heat registers, stoves or other appliances (including amplifiers) that produce heat.
4. Power Sources – The unit should be connected to a power supply only of the type described in the operating instructions or as marked on the appliance itself.
5. Grounding or Polarization – This product is equipped with a polarized alternating current line plug. (a plug having one blade wider than the other) As a safety feature this plug will fit into the power outlet only one way. If you are unable to fit the plug fully into the outlet, try reversing the plug. If the plug still fails to fit, contact your electrician to replace your obsolete outlet. Do not defeat the safety purpose of the polarized plug by forcing the plug into the outlet.
6. Power-cord Protection – Power supply cords should be routed so that they are not likely to be walked on or pinched by items placed upon or against them. It is always best to have a clear area from where the cord exits the unit to where it is plugged into an AC outlet.
7. Cleaning – Unplug this product from the wall outlet before cleaning. Do not use liquid cleaners or aerosol cleaners. Use a damp cloth for cleaning.
8. Non-Use Periods – The power cord of the unit should be unplugged from the outlet when it is to be left unused for a long period of time.
9. Object and Liquid Entry – Care should be taken so that objects do not fall and liquids are not spilled into an enclosure through openings.
10. Attachments – Do not use attachments not recommended by the product manufacturer as they may cause hazards.
11. Lightning – For added protection for this product during a lightning storm, or when it is left unattended and unused for long periods of time, unplug it from the wall outlet and disconnect the antenna or cable system. This will prevent damage to the product due to lightning and power-line surges.
12. Overloading – Do not overload wall outlets, extension cords, or integral convenience receptacles as this can result in a risk of fire or electric shock.
13. Damage Require Service – The unit should be serviced by qualified service personnel when:
 - A. The power supply cord or plug has been damaged.
 - B. Objects have fallen into or liquid has been spilled into the enclosure.
 - C. The unit has been exposed to rain.
 - D. The unit has been dropped or the enclosure damaged.
 - E. The unit does not appear to operate normally or exhibits a marked change in performance.
14. Servicing – The user should not attempt to service the unit beyond that described in the user's operating instructions. All other servicing should be referred to qualified service personnel.
15. Safety Check – Upon completion of any service or repairs to this product, ask the service technician to perform safety checks to determine that the product is in proper operating condition.
16. Antenna – Do not connect to an external antenna.

For questions or comments regarding this or other products, please call our toll-free number 1-800-888-4491.

Installation and Maintenance

Installation

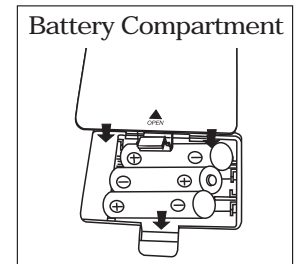
1. Remove the unit and all packing materials from the carton. You should save packing materials in case unit needs to be returned for service. If you do not wish to save the materials, please dispose of them properly.
2. Place the unit on a stable, level surface, close to an AC outlet, out of direct sunlight, and away from sources of dust, dirt, heat, water, moisture, vibration, and strong magnetic fields.
3. After installing the batteries (see below) and reading the Maintenance notes, plug the AC cord into an outlet.

“Sure Alarm” Battery Backup Installation

It is recommended that 3 “AA” batteries be installed into the unit, as directed below, to activate the “Sure Alarm” battery backup feature. In the event that the AC power cord is disconnected or a power failure or other interruption occurs, the “Sure Alarm” system will maintain clock and alarm settings for the life of the batteries, ensuring that the alarm will sound at the set time (note: while operating on battery power, all set alarms will sound as a buzzer). When power is restored, the clock will cease using battery power, and will again operate on AC power. The Battery Low Indicator shows if there is not enough battery power to run the backup.

To install backup batteries:

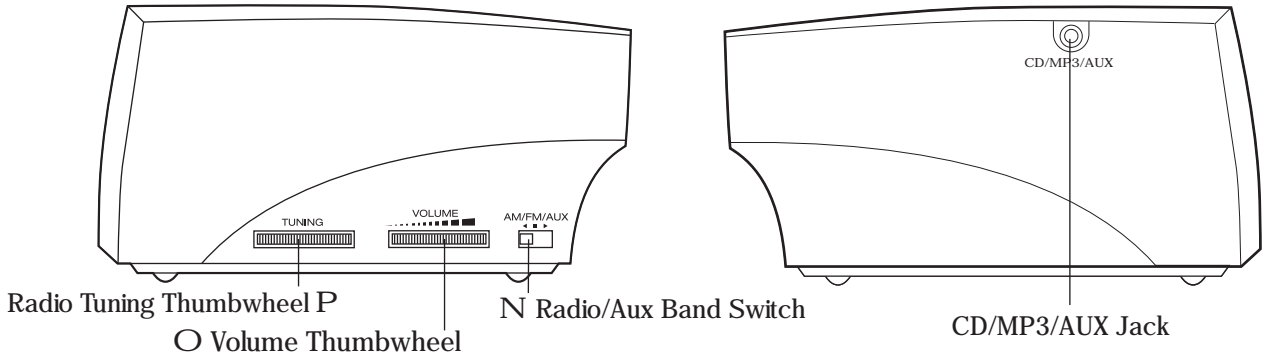
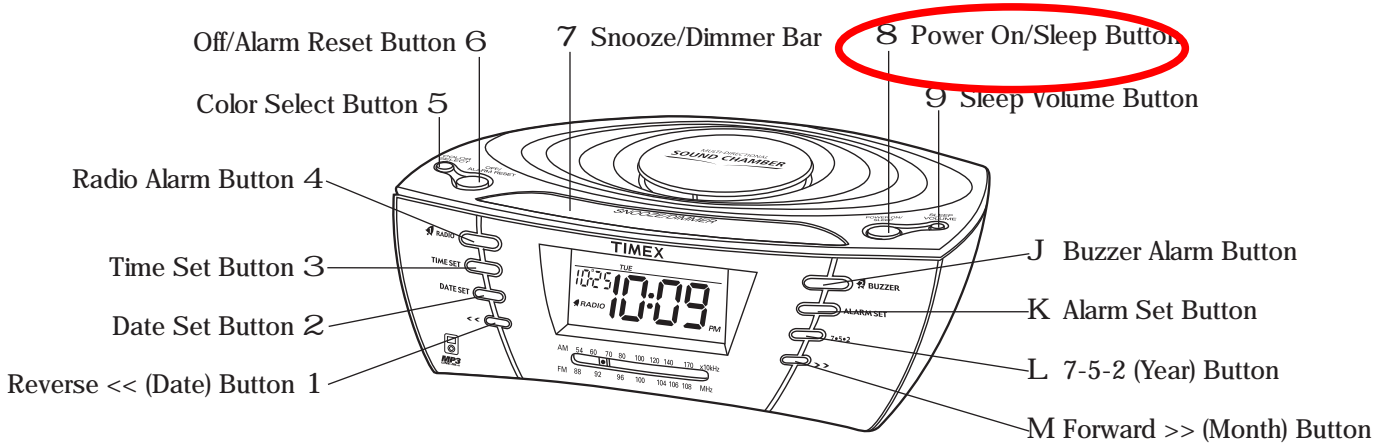
1. Gently turn the unit over and remove the battery compartment door.
2. Install 3 “AA” batteries (alkaline is recommended for longer life) into the battery compartment. Please make sure the polarity is correct as shown within the battery compartment.
3. Put the battery compartment door back on, making sure the door locks into place, and gently return the unit to its upright position.



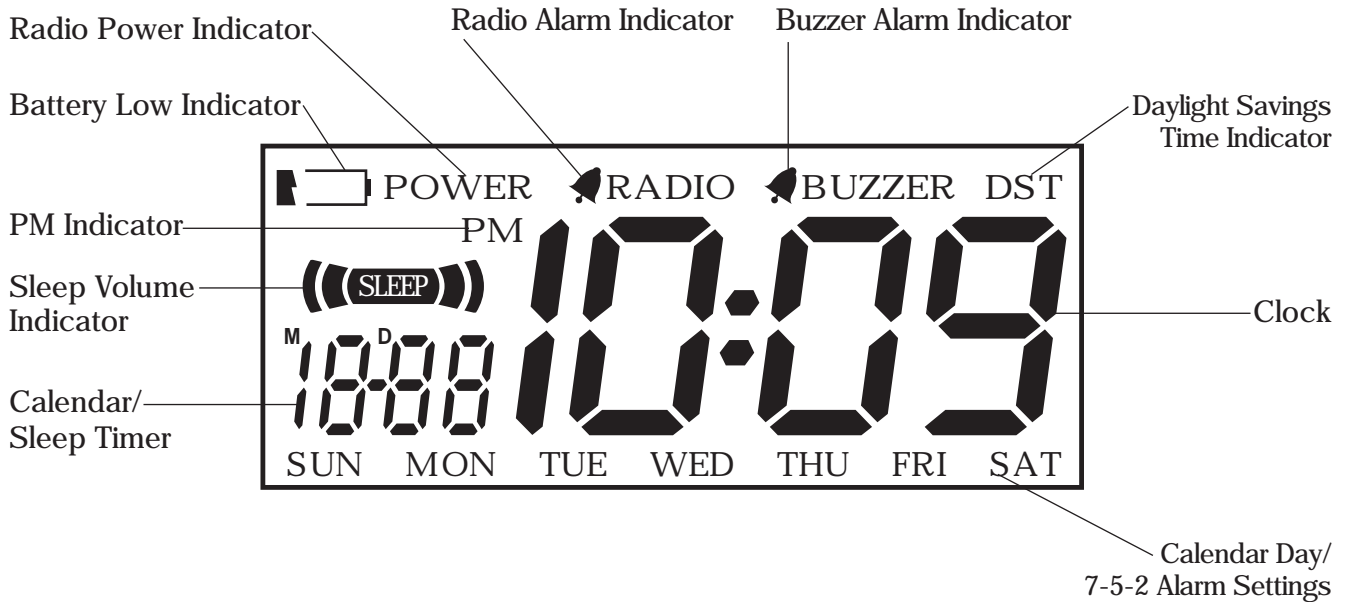
Maintenance

1. Place the unit on a level surface away from sources of direct sunlight or excessive heat.
2. Protect your furniture when placing your unit on a natural wood and lacquered finish. A cloth or other protective material should be placed between it and the furniture.
3. Clean your unit with a soft cloth moistened only with mild soap and water. Stronger cleaning agents, such as Benzine, thinner or similar materials can mar the surface of the case.
4. If the unit is not to be used for a prolonged period, such as a month or longer, remove the batteries to prevent possible corrosion. Should the battery compartment become corroded or dirty, clean the compartment thoroughly and replace the batteries.

Controls and Buttons



LCD Display With Indicators



Setting the Clock and Calendar

Setting the clock

1. Press and hold the 3 Time Set Button until the time display begins flashing.
2. Press the 1 << or M >> Button to adjust to correct time. Holding a button for a few seconds will advance or reverse the time rapidly.
3. Remember to set the correct AM or PM. The PM Indicator is located on the left side of the time digits.
4. Press the 3 Time Set Button again or wait about ten seconds for the unit to beep twice and the display to return to normal display mode.

Setting the Calendar

1. It is important to set the correct date in order to use the 7-5-2 Alarm settings. Press and hold the 2 Date Set Button until the display begins flashing and the last two digits of the year replace the time in the display.
2. The date, month, and year are each set using a different button. To set the date, press the 1 << Button. To set the month, press the M >> Button. To set the year, press the L 7-5-2 Button. (These buttons will only advance the date forward.) The clock features a 99-year calendar that automatically programs the correct day of the week for the date set.
3. After setting the calendar, press the 2 Date Set Button or wait about ten seconds to return to the normal display mode.

Daylight-Saving Time and Leap Years

This unit will automatically adjust the clock at the beginning and end of daylight-saving time each year. It will also automatically adjust the month/day display for leap years.

This clock automatically advances one hour at the start of daylight-saving time on the first Sunday of April, and automatically moves back one hour at the end of daylight-saving time on the last Sunday of October. If you live in an area that does not observe daylight-saving time, it will be necessary for you to manually adjust the clock back one hour at the beginning and forward one hour at the end of the daylight-saving period.

Adjusting the Display Backlight

This clock radio features a "rainbow-like" clock display, providing a spectrum of color. When the clock radio is plugged in, the color of the display will constantly change from one color to another. When the desired color appears on the display, press the 5 Color Select Button once to select that color. The display will stop changing colors.

You may change the display color anytime by pressing the 5 Color Select Button to re-activate the color variation. Press the button again when the desired color appears on the display.

Note: To adjust the brightness to dim, medium or bright setting, press the 7 Snooze/Dimmer Bar repeatedly until the desired brightness is reached.

Listening and Sleeping to the Radio

Listening to the Radio

1. Press the **8** Radio On/Sleep Button once to turn the radio on. The Radio Power Indicator will appear at the top of the display.
Note: If the **8** Radio On/Sleep Button is pressed more than once, the unit will enter the sleep mode. See the Sleeping to the Radio with Timer section for more information about this feature.
2. Slide the **N** Radio Band Switch to AM or FM.
3. Rotate the **P** Radio Tuning Thumbwheel to select a radio station.
4. Rotate the **O** Volume Thumbwheel to adjust the volume level.
5. Press the **6** Off/Alarm Reset Button to turn the radio off.

Antenna Information and Adjustment

FM – Extend FM wire antenna to its full length and vary the direction to its strongest signal.

AM – The AM bar antenna is located inside the cabinet. Rotate the unit until you find the strongest AM signal.

Sleeping to the Radio with Timer

1. Following the above instructions to select a radio station.
2. Press the **8** Radio On/Sleep Button twice to enter the sleep mode.
3. Continue pressing the **8** Radio On/Sleep Button to select a 90-, 60-, 30-, or 15-minutes sleep timer. The Sleep Timer appears in the bottom-left corner of the display.
4. The Sleep Volume Indicator will appear, showing that the timer has been activated. Press the **9** Sleep Volume Button to adjust the sleep volume to a comfortable level. This will not affect the alarm volume. Turning the **O** Volume Thumbwheel also adjusts the sleep volume, though this affects the alarm volume.
5. The radio will play for the programmed sleep time and then shut off. To turn off the radio before the sleep time has elapsed, press the **6** Off/Alarm Reset Button.

Listening and Sleeping to the AUX-IN Device

1. Connect your MP3, Discman or other device into the AUX Jack which located on the left of the unit with mini plug cord.
2. Slide the Radio Band Switch to AUX. Press the Radio On/Sleep Button once to turn the unit on or keep pressing the button for sleep operation. Please see Listening and Sleeping to the Radio for detail.
3. Turn on the external device and adjust the device output level or the Volume Thumbwheel to adjust the volume level.
4. Press the Off/Alarm Reset Button to turn the unit off.

CAUTION: When no longer listening to music from the AUX-IN Device, be sure to slide the Radio Band Switch back to AM or FM position when setting the clock to wake to radio.

Operating the Alarms

Setting the Radio Alarm

1. Press the K Alarm Set Button once to set the radio alarm. The display will flash and show the radio alarm setting.
2. Press the 1 << or M >> Button to set the radio alarm time. Hold either button for a few seconds so as to advance or reverse the alarm time rapidly. Set the correct AM/PM time, shown by the PM indicator.
3. While the display is still flashing, press the L 7-5-2 Button repeatedly until your desired alarm days are shown on the bottom of display.

Note: The 7-5-2 setting lets you set the alarm for a full week, weekdays only, or the weekend. Be sure that you have set the correct day and date as shown in the "Setting the Calendar".

4. See the Listening and Sleeping to the Radio for instructions on selecting radio station and volume.
5. Press K Alarm Set Button twice, or wait few seconds to return to the standard clock display. The Radio Alarm Indicator will appear, showing that the radio alarm is set

Setting the Buzzer Alarm

1. Press the K Alarm Set Button twice to set the buzzer alarm. The display will flash and show the buzzer alarm setting.
2. Press the 1 << or M >> Button Button to set the buzzer alarm time. Hold either button for a few seconds so as to advance or reverse the alarm time rapidly. Set the correct AM/PM time, shown by the PM indicator.
3. While the display is still flashing, press the L 7-5-2 Button repeatedly until your desired alarm days are shown on the bottom of display.

Note: The 7-5-2 setting lets you set the alarm for a full week, weekdays only, or the weekend. Be sure that you have set the correct day and date as shown in the "Setting the Calendar".

4. Press K Alarm Set Button once or wait few seconds to return to the standard clock display. The Buzzer Alarm Indicator will appear, showing that the buzzer alarm is set.

Checking Your Alarm Time Settings

To check either alarm setting, press RADIO or BUZZER Alarm Button twice to show the settings for a few seconds. After you have checked the setting, be sure that the Alarm Indicator still appears on the display.

Turning Off the Alarms

1. After the alarm sounds, press the 6 Off/Alarm Reset Button to turn off the alarm while still maintaining the programmed 7-5-2 Advance Alarm settings. To turn off an alarm and press its Alarm Button so that its Alarm Indicator no longer appears on the display.
2. If the 6 Off/Alarm Reset Button is not pressed, the alarm will sound for an hour before stopping. As long as an indicator appears on the display, the alarm will sound according to the 7-5-2 Advance Alarm settings.
3. To use the snooze feature, press the 7 Snooze/Dimmer Button when alarm sounds. The alarm will stop for about nine minutes before sounding again. This can be repeated during the one-hour snooze cycle.

Limited 90-Day Warranty Information

Timex Audio Products, a division of SDI Technologies Inc. (hereafter referred to as SDI Technologies), warrants this product to be free from defects in workmanship and materials, under normal use and conditions, for a period of 90 days from the date of original purchase. Should service be required by reason of any defect or malfunction during the warranty period, SDI Technologies will repair or, at its discretion, replace this product without charge (except for a \$3.00 charge for handling, packing, return UPS/postage, and insurance). This decision is subject to verification of the defect or malfunction upon delivery of this product to the Factory Service Center listed below. The product must include proof of purchase, including date of purchase. The fee for service after the warranty period or without proof of purchase is \$6.00.

Before returning this product for service, please first replace the batteries (if applicable) with fresh ones, as exhausted or defective batteries are the most common cause of problems encountered.

If service is still required:

1. Remove batteries (if applicable) and pack the unit in a well-padded, heavy corrugated box.
2. Enclose a photocopy of your sales receipt, credit card statement, or other proof of the date of purchase.
3. Enclose a check or money order payable to the order of Soundesign, for the sum of \$3.00 (or \$6.00 if after the warranty period or without proof of purchase).
4. Send the unit prepaid to the Factory Service Center listed below:

SDI Technologies Inc.
Timex Audio Products Division
1330 Goodyear Dr
El Paso TX 79936

NOTE: This warranty is valid only if the product is used for the purpose for which it was designed. It does not cover (i) products which have been damaged by negligence, misuse or accident, or which have been modified or repaired by unauthorized persons; (ii) cracked or broken cabinets, or units damaged by excessive heat; (iii) damage to tape cassettes (if applicable); (iv) the cost of shipping this product to the Factory Service Center and its return to the owner.

This warranty is valid only in the United States of America and does not extend to owners of the product subsequent to the original purchaser. Any applicable implied warranties are also limited to 90 days, and SDI Technologies will not be liable for consequential damages. (Some states do not allow limitations on implied warranties or exclusion of consequential damages, so these restrictions may not apply to you.) This warranty gives you specific legal rights, and you may also have other rights which vary from state to state.

TIMEX is a registered trademark of Timex Corporation the United States and other countries.